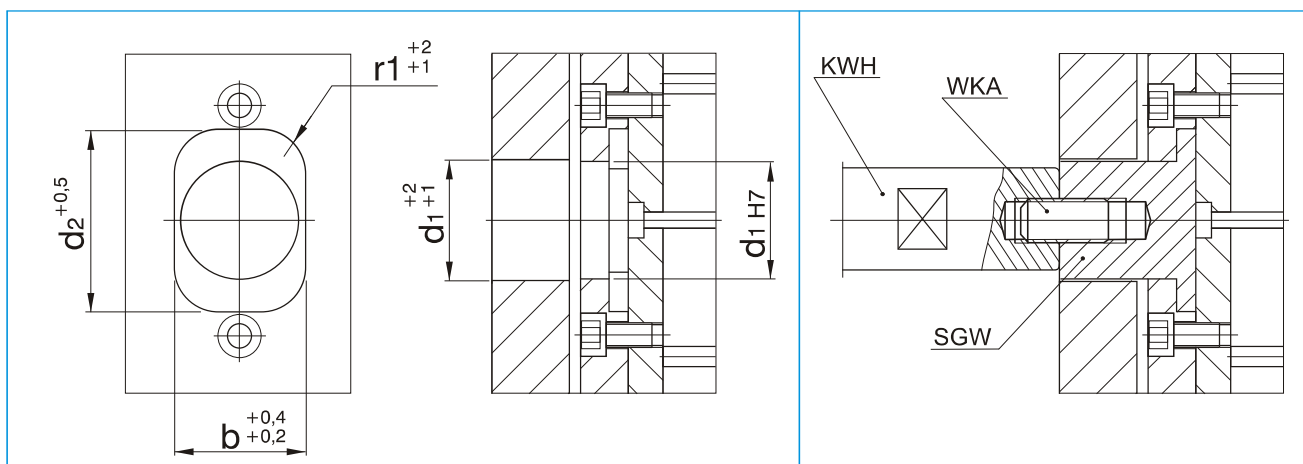
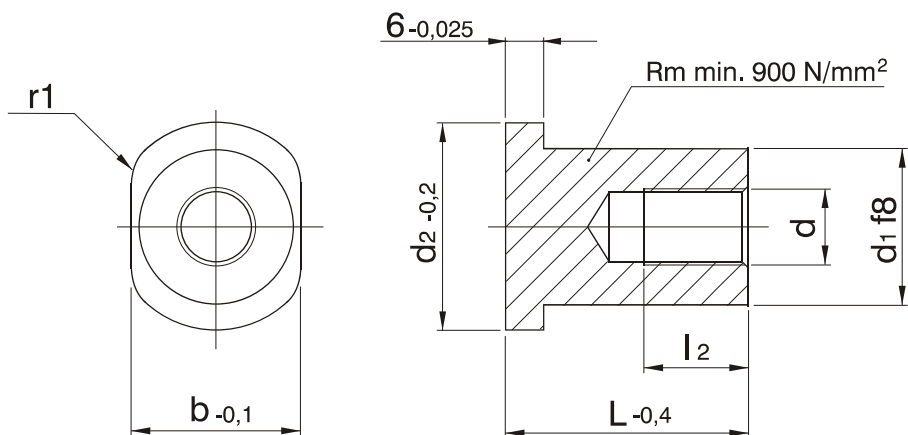


**SGW**



b	r1	d2	d1	l2	d	L	NR KAT.						
24	8	36	20	12	M6	37	SGW-0637						
						42	SGW-0642						
				16	M8	37	SGW-0837						
						42	SGW-0842						
						47	SGW-0847						
						52	SGW-0852						
34	11	46	30	20	M10	47	SGW-1047						
						52	SGW-1052						
						56	SGW-1056						
						61	SGW-1061						
						56	SGW-1256						
						61	SGW-1261						
				24	11	46	30	24	M12	66	SGW-1266		
										71	SGW-1271		
										75	SGW-1275		
										40	M16	61	SGW-1661
												66	SGW-1666
												71	SGW-1671
75	SGW-1675												
85	SGW-1685												
95	SGW-1695												
46	11	56	40	40	M20	61	SGW-2061						
						66	SGW-2066						
						71	SGW-2071						
						75	SGW-2075						
						85	SGW-2085						
						95	SGW-2095						